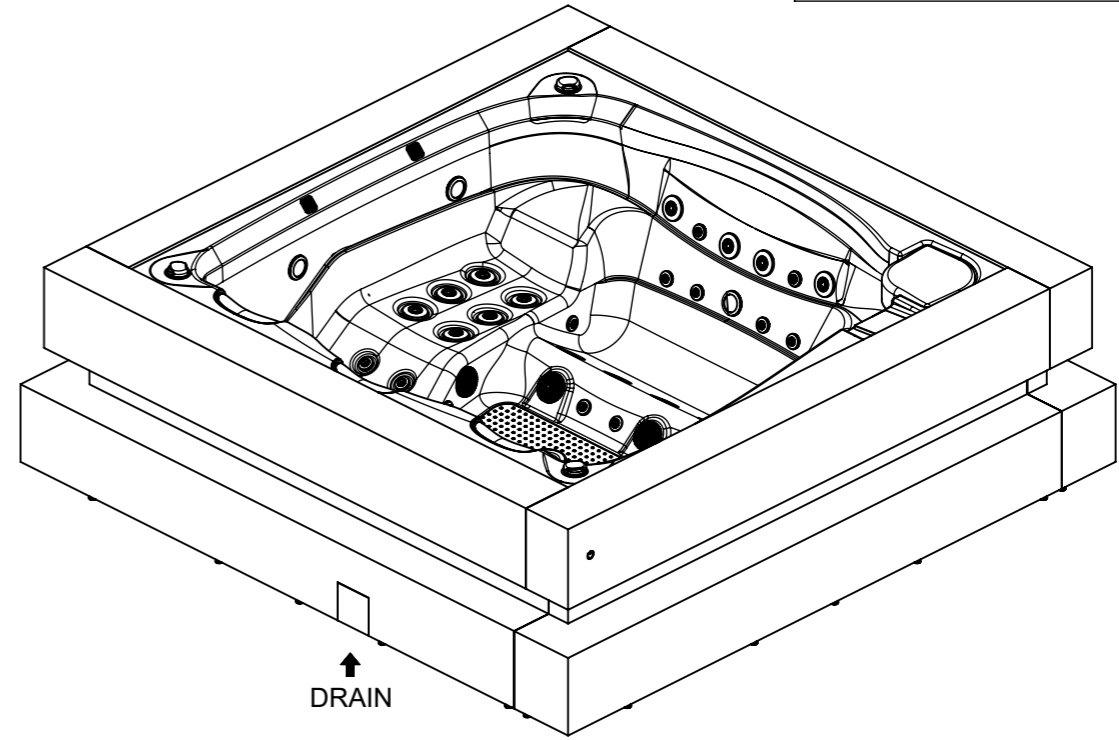
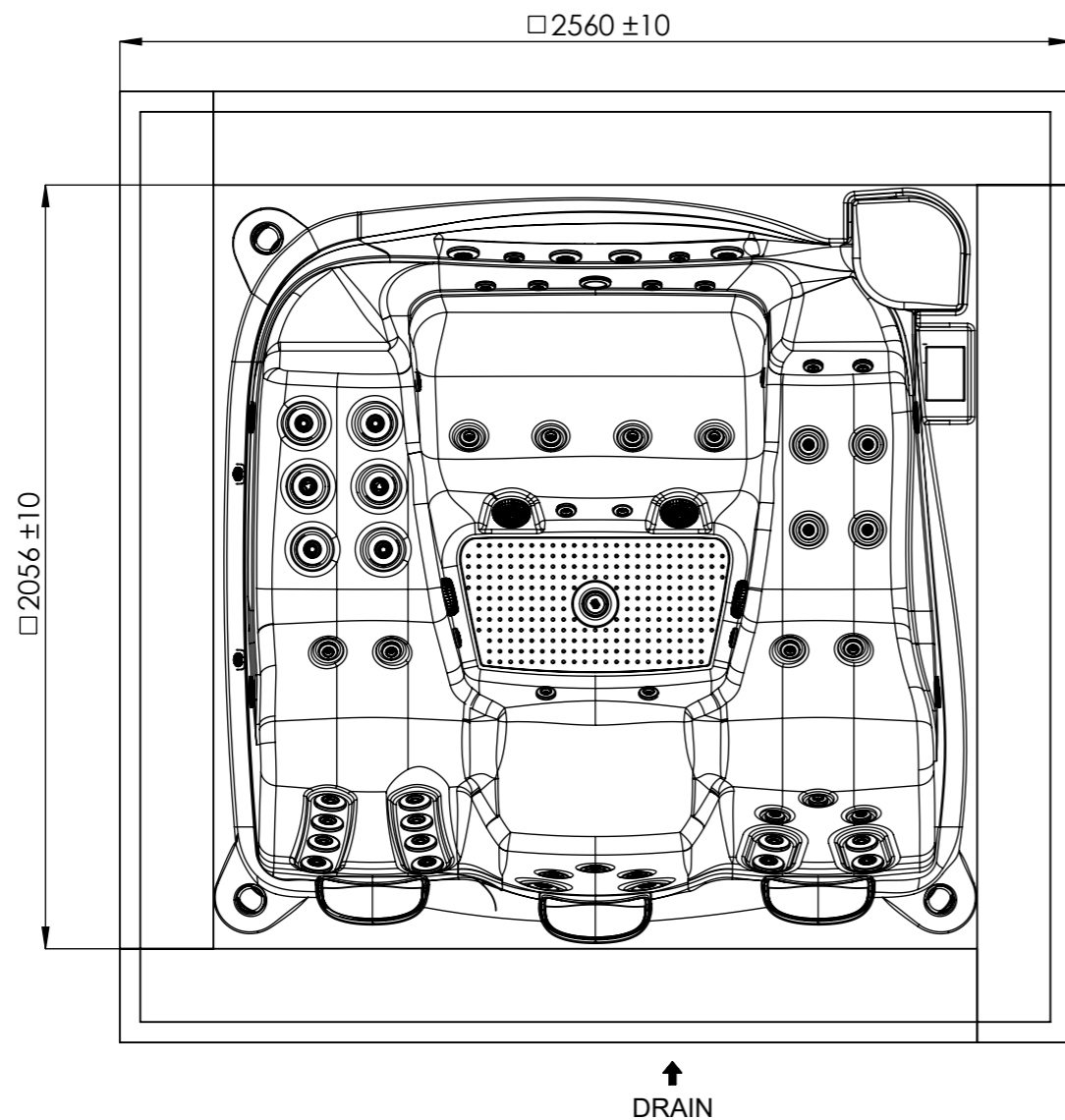
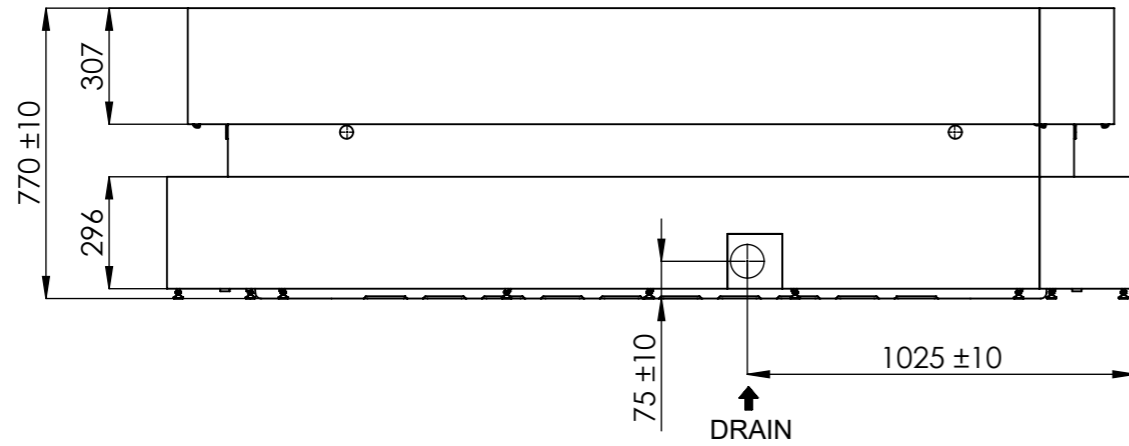
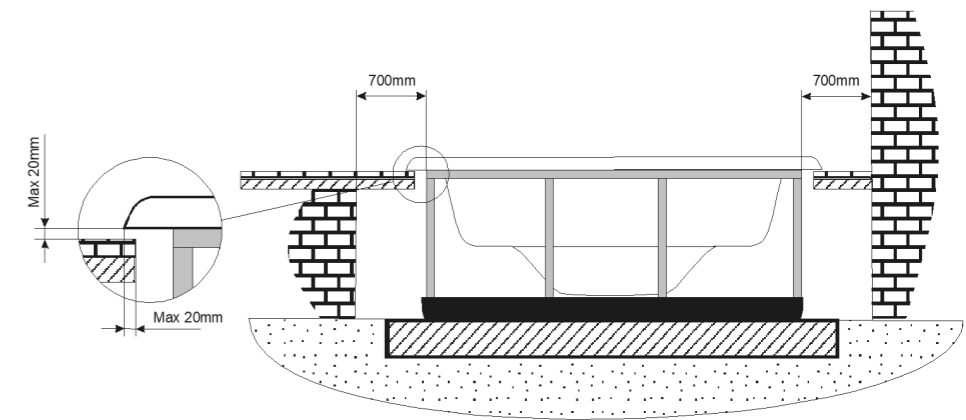


General specifications	
Spa weight (dry)	624 kg
Spa weight (filled)	1756 kg



WARNING:
It's essential to keep a minimum clearance access of **700mm** all around.



↑
↑
ELECTRICAL BOARD CONNECTIONS ACCESS

*According to our policy of continuous improvement, dimensions, features or components of this product can be partially or completely changed without prior notice.
It's Customer responsibility to verify that this is the last version of the drawing.*

Revision	Date	Name	Modification

Dimensions in mm. General Tolerances +/- 10mm			COMMERCIAL		
Drawn	Date	Name	Code	Rev.	Size
	02/10/2024	BB	77524	00	A3
Checked	24/01/2025	Artur D.			
Scale 1:20	General Tolerance		iberspa	First Angle Projection	
Sheet 1/1	DIN 7168 ISO 2768g				